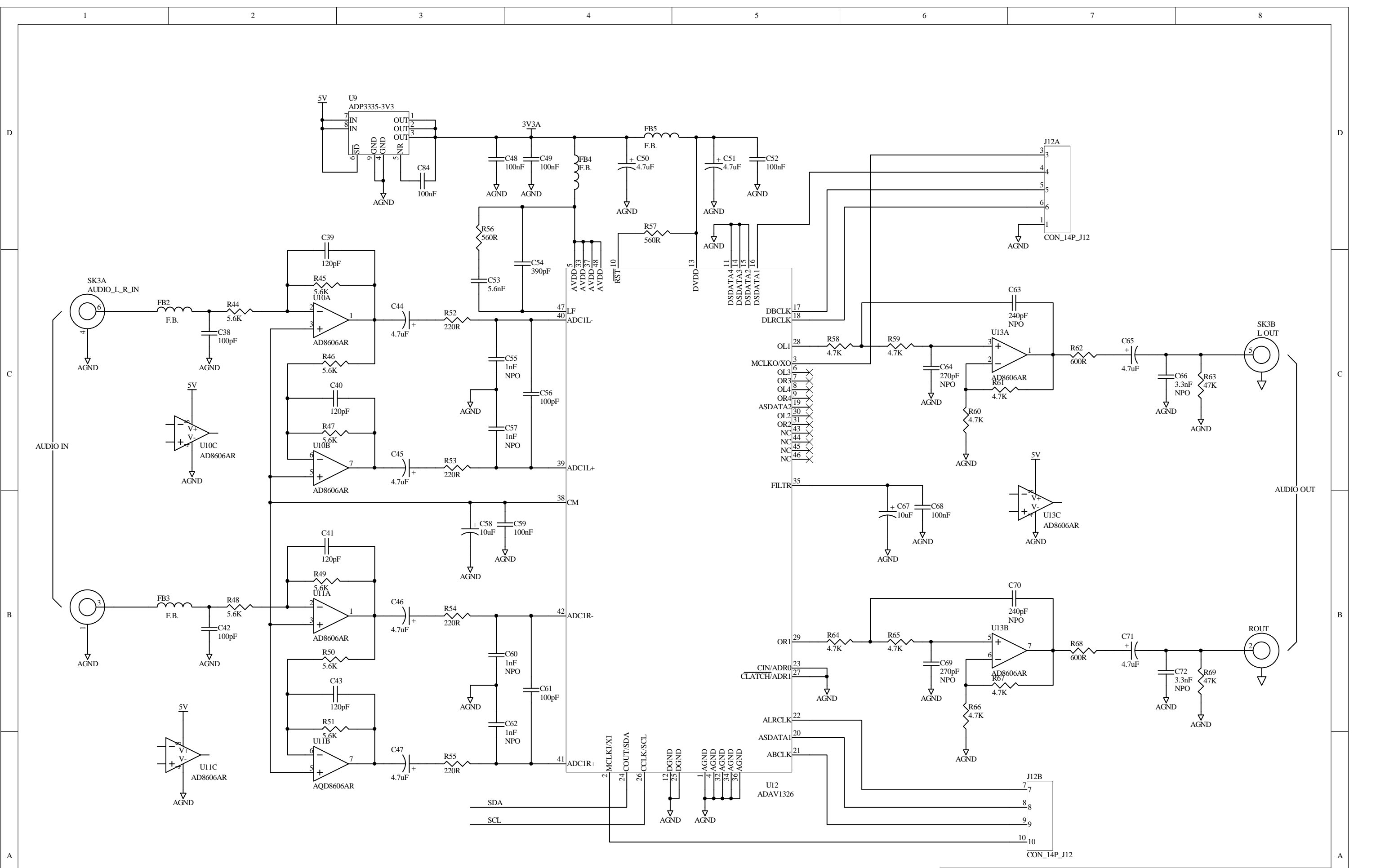
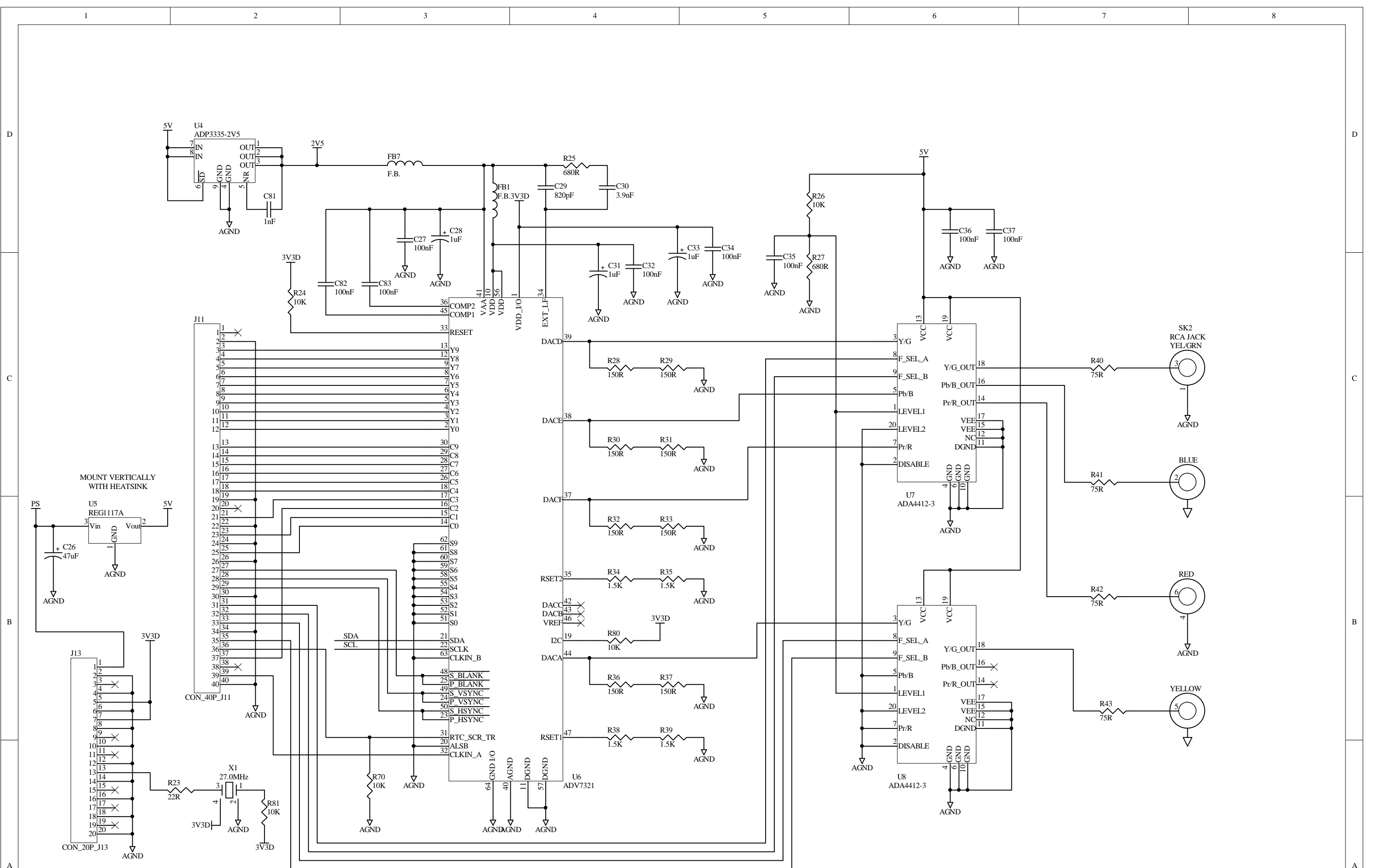


			PROJECT NUMBER	
			05481-2	
DRAWN BY TMC			MODEL NAME DP1 - VIDEO ADC	
CHECKED 			DATE 10 OCT 2005	
AUTHORITY 			SHEET 2 OF 4	
			SIZE A3	



			PROJECT NUMBER	
			05481-2	
DRAWN BY CHECKED AUTHORITY			Name TMC	Revision 2.0
			Date 10 OCT 2005	MODEL NAME DPI - AUDIO CODEC
			SHEET 4	OF 4
			SIZE	A3



			PROJECT NUMBER	
			05481-2	
Name			MODEL NAME	
Revision			DP1 - VIDEO DAC	
Date			DATE	
10 OCT 2005			10 OCT 2005	
DRAWN BY			SHEET 3 OF 4	
TMC			SIZE	
CHECKED			A3	
AUTHORITY				